

Thank you for purchasing this Dynojet kit. This kit has been developed for a motorcycle which is set to the parameters listed at the right in the "Stage" description. If your motorcycle does not meet any of these parameters please check with Dynojet before installation. For technical assistance contact your Dynojet distributor or call Dynojet U.S.A. (800)-992-4993

2191 Mendenhall Dr. Suite 105
 North Las Vegas, NV 89031
 TEL: 702-399-1423
 FAX: 702-399-1431
 8am-5pm Pacific Time
 Monday through Friday

Website Address
<http://www.dynojet.com>

The manufacturer and seller make no warranties express or implied which extend beyond the description of the goods contained herein. Any description of this product is for the purpose of identifying it and shall not be deemed to create an express warranty.

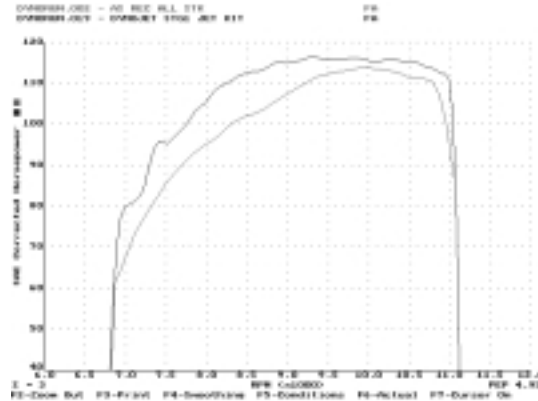


2151.002
 U.S Models Only

1993-97 Kawasaki ZX11D

Stage 1

For mildly tuned machines using the stock air-box, with stock or K&N filter. May also be used with a good aftermarket exhaust system
 K&N filter #KA-0010



This graph shows a typical gain with a Dynojet jet kit.

WARNING

**NO SMOKING!
 NO OPEN FLAME!
 WHILE INSTALLING
 YOUR DYNOJET KIT**

Parts List		
4	Main Jet	DJ150
4	Main Jet	DJ155
4	Main Jet	DJ160
4	Fuel Needles	DNO233
4	E-Clips	DE0001
8	Adjusting Washers	DW0001
4	Main Air Correctors	DCO201
1	Plug Drill	DD #5/32
1	Screw	DS0001
1	Tool	DT001
1	Slide Drill	DD #37
1	Glue	DA0001

STAGE ONE INSTRUCTIONS

1. Remove vacuum slides from carbs. Remove stock needles and spacers, noting order of assembly (Fig.A)
2. Using the drill bit provided (DD #37) drill an auxiliary slide lift hole in the position shown in Fig. B. By drilling this auxiliary hole you will get the optimum performance out of this kit. If for any reason you need to go back to stock use JB weld or a similar product to fill up this hole.
3. Install the Dynojet needles on groove #3 from the top. Use all stock spacers. Install the small Dynojet washers above the E-clip (2 per needle). After installing the slides in the carbs be sure to check slide movement manually.
4. Remove the stock main jets and replace with the Dynojet main jets provided. If you are running the stock exhaust install the DJ150 main jets. If you are running an aftermarket exhaust or slip-on with high flowing baffle use the DJ155 main jets. Be sure that the jet you are changing is the main jet.
5. Locate the main air jet passage (Fig. C). With the flat end facing into the carb, install the main air jet correctors provided (DCO201). Use the tool provided (DT001) to tap lightly in place. With the glue provided lightly touch a dab on the outer edge of the air corrector. Allow glue to dry.
6. Locate the fuel mixture plug (Fig. D). If you see a screw head at Fig. D then proceed to the adjusting procedure. With the 5/32 drill bit provided carefully drill through the plug. **NOTE:** The mixture screw is directly underneath this plug, be ready to pull back on the drill the instant you break through. Use screw provided to secure and remove this plug. Carefully turn the mixture screws clockwise until lightly seated, then back out 3 turns.

DYNOJET

2151.002

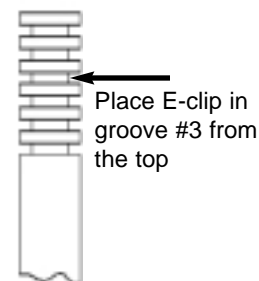


Fig. D

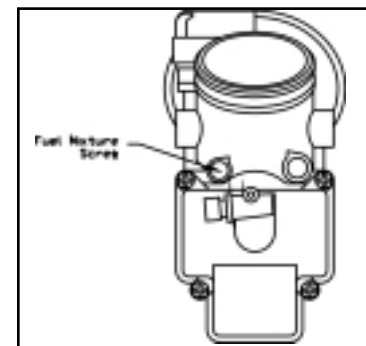


Fig. C

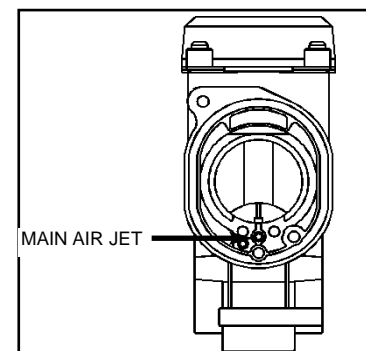


Fig. A

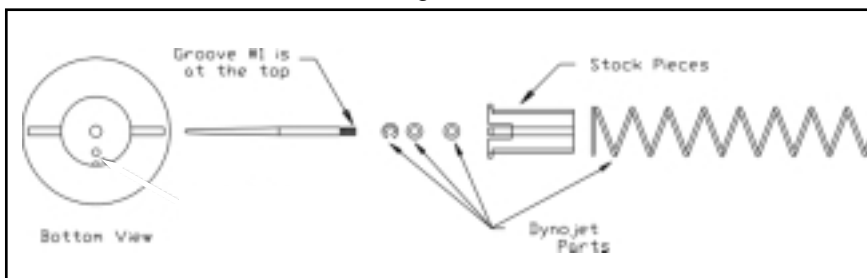


Fig. B

