

Thank you for purchasing this Dynojet kit. This kit has been developed for a motorcycle which is set to the parameters listed at the right in the "Stage" description. If your motorcycle does not meet any of these parameters please check with Dynojet before installation. For technical assistance contact your Dynojet distributor or call Dynojet U.S.A. (800)-992-4993

2191 Mendenhall Dr. Suite 105
 North Las Vegas, NV 89031
 TEL: 702-399-1423
 FAX: 702-399-1431
 8am-5pm Pacific Time
 Monday through Friday

Website Address
<http://www.dynojet.com>

The manufacturer and seller make no warranties express or implied which extend beyond the description of the goods contained herein. Any description or this product is for the purpose of identifying it and shall not be deemed to create an express warranty.

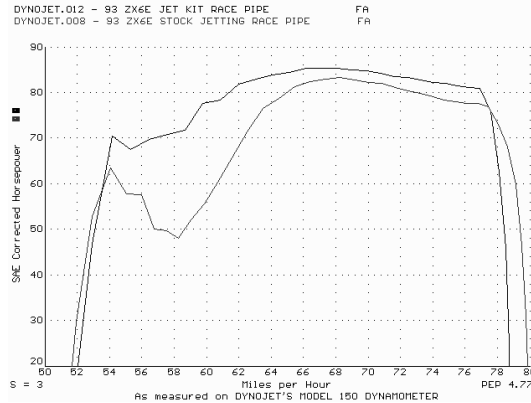


2153.001

U.S Models Only

*1993-2004 Kawasaki
 ZX6E / ZZR6
 Stage 1*

For mildly tuned machines using the stock airbox, with stock or K&N filter. May also be used with a good aftermarket exhaust system
 K&N filter #KA-0012



This graph shows a typical gain with a Dynojet jet kit.

WARNING

**NO SMOKING!
 NO OPEN FLAME!
 WHILE INSTALLING
 YOUR DYNOJET KIT**

Parts List		
4	Main Jets	DJ132
4	Main Jets	DJ136
4	Fuel Needles	DNO348
8	Adjusting Washers	DW0001
4	E-Clips	DE0001
1	Slide Drill	DD #32
1	Plug Drill	DD #5/32
1	Screw	DS0001

STAGE ONE INSTRUCTIONS

DYNOJET

2153.001

1. Remove the vacuum slides from the carbs. Remove the stock needles and spacers, noting the order of assembly.
2. Using the drill bit provided (DD #32) drill an auxiliary slide lift hole in the position shown in Fig. A. Enlarging the stock slide lift holes did not produce any gains in performance. By drilling this auxiliary hole you will get the optimum performance out of this kit. If for any reason you need to go back to stock use JB weld or a similar product to fill up this hole.
3. Install Dynojet needles on groove #4 from the top. Use all stock spacers. Install the small Dynojet washers above the E-clip (2 per needle). After installing the slides in carbs be sure to check slide movement manually before air box installation.
4. Remove the stock main jets and replace with Dynojet main jets provided. If you are running the stock exhaust install the DJ132 main jets. If you are running an aftermarket exhaust or slip-on with high flowing baffle use the DJ136 main jets. Be sure that the jet you are changing is the main jet.
5. Locate the fuel mixture plug (Fig. B). If you see a screw head at Fig. B then proceed to the adjusting procedure. With the DD #5/32 drill bit provided carefully drill through the plug. **NOTE:** The mixture screw is directly underneath this plug, be ready to pull back on the drill the instant you break through. Use screw provided to secure and remove this plug. Carefully turn the mixture screws clockwise until lightly seated, then back out 3 turns.

Fig. A

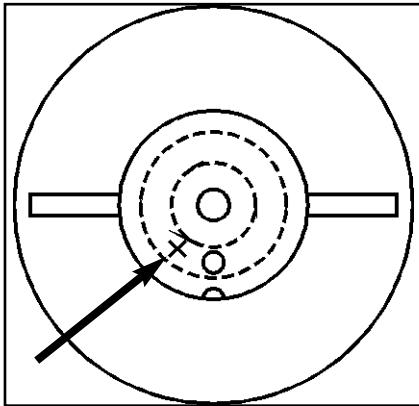


Fig. B

