

Thank you for purchasing this Dynojet kit. This kit has been developed for a motorcycle which is set to the parameters listed at the right in the "Stage" description. If your motorcycle does not meet any of these parameters please check with Dynojet before installation. For technical assistance contact your Dynojet distributor or call Dynojet U.S.A. (800)-992-4993

2191 Mendenhall Dr. Suite 105
 North Las Vegas, NV 89031
 TEL: 702-399-1423
 FAX: 702-399-1431
 8am-5pm Pacific Time
 Monday through Friday

Website Address
<http://www.dynojet.com>

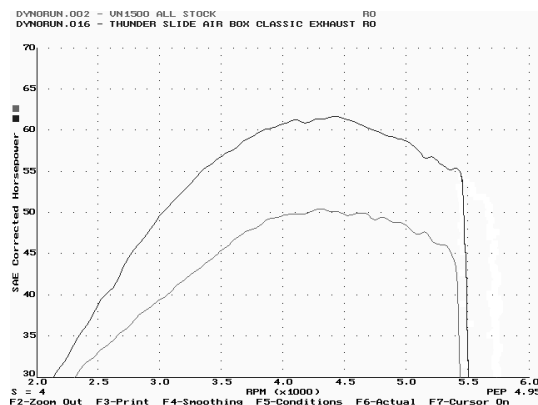
The manufacturer and seller make no warranties express or implied which extend beyond the description of the goods contained herein. Any description of this product is for the purpose of identifying it and shall not be deemed to create an express warranty.



2167.003
 U.S Models Only

1996-2004 Kawasaki VN1500 D&E
 Vulcan Classic
 Stage 1

For mildly tuned machines using the stock air-box, with stock or K&N filter. May also be used with a good aftermarket exhaust system K&N filter #KA-1596



This graph shows a typical gain with a Dynojet jet kit.

WARNING

**NO SMOKING!
 NO OPEN FLAME!
 WHILE INSTALLING
 YOUR DYNOJET KIT**

Parts List		
1	Main Jet	DJ132
1	Main Jet	DJ134
1	Main Jet	DJ136
1	Main Jet	DJ138
1	Main Jet	DJ140
1	Fuel Needle	DNO313
1	E-Clips	DE0001
2	Adjusting Washers	DW0001
1	Plug Drill	DD #5/32
1	Screw	DS0001
1	Slide Drill	DD #50
1	Plug	DJP001

STAGE ONE INSTRUCTIONS

1. Remove vacuum slides from carbs. Remove stock needle and spacers, noting order of assembly (Fig.A).
2. Drill the slide lift hole with the DD #50 drill bit provided (Fig. A). **Do not** drill the needle hole.
3. Install the Dynojet needle on groove #4 from the top. Use all stock spacers (Fig. A). Install the small Dynojet washers above the E-clip. After installing the slide in the carb be sure to check slide movement manually.
4. Remove the stock main jets and replace with the Dynojet main jets provided. If you are running the stock exhaust install the DJ134 main jet. If you are running an aftermarket exhaust with wide open baffles use the DJ138 main jet. Be sure that the jet you are changing is the main jet. **NOTE:** If running above 3000ft use a main jet that is 2 points smaller. ie, if you are using the DJ134 main jet then use the DJ132 main jet.
5. Locate the fuel mixture plug (Fig. B). If you see a screw head at Fig. B then proceed to the adjusting procedure. With the 5/32 drill bit provided carefully drill through the plug. **NOTE:** The mixture screw is directly underneath this plug, be ready to pull back on the drill the instant you break through. Use screw provided to secure and remove this plug. Carefully turn the mixture screw clockwise until lightly seated, then back out 3 turns.
6. Locate the hose shown in Fig. C. The hose is located behind the air box on the left side of the engine. Remove the air filter cover and backing plate. Disconnect the hose and install the Dynojet plug (DJP001) in the hose and then reattach the hose (Fig. C).

DYNOJET

2167.003

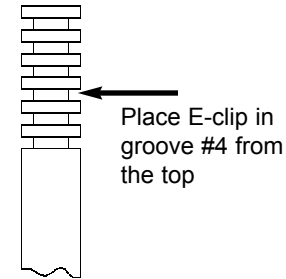


Fig. B

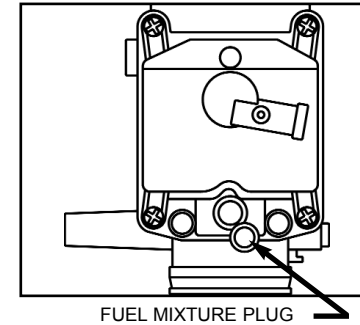


Fig. A

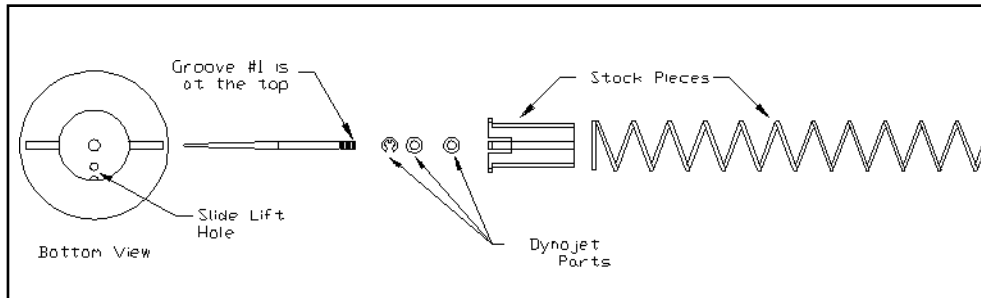


Fig. C

